



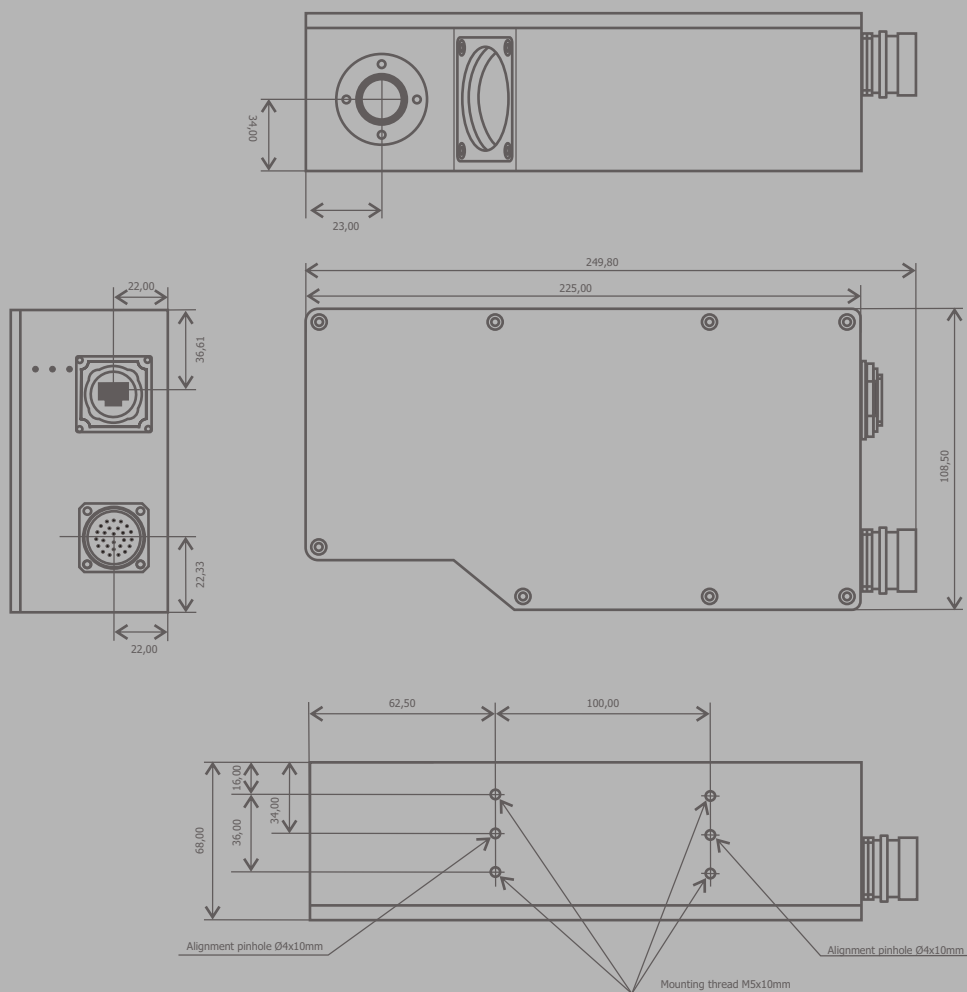
C4[®]-1280CS

Model 45-11

Intelligent High Speed 3D Measurement

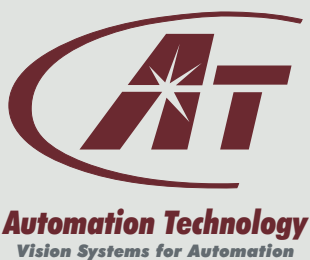
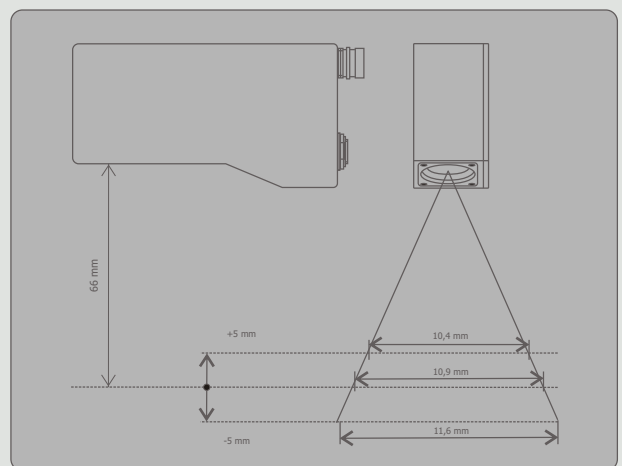
- 3D Sensor Head Based on Laser Sheet-Of-Light Principle
- Performs 3D Scan of Target Surface with High Speed and Ultra High Precision
- Ideal for High Precision Surface Inspection and Geometry Control in Rough Industrial Environments (IP67)

C4[®] -1280CS 45-11



Specifications

Lateral resolutions (nominal value)	8,5 μ m
Height resolution (nominal value)	0.2 μ m
Profile speed	Up to 70000 Hz
Interface	GigE Vision / GenICam
Trigger Functions	Digital I/O, RS442 Encoder
Laser safety class	3b
Protection degree	IP67
Power supply	24V DC, 1 A
Mass	3 kg



Automation Technology GmbH
Hermann-Bössow-Straße 6-8
D-23843 Bad Oldesloe

Telefon: +49-(0) 45 31 / 88011-0
Telefax: +49-(0) 45 31 / 88011-20
E-Mail: info@automationtechnology.de
Internet: www.automationtechnology.de

Sales contact: